



Gemini™ & Infinity™

Finishing Pumps & Equipment



Pump Basics for Smooth Operation

Fluid Characteristics Influence Pump Selection

Consider the following fluid characteristics when choosing your finishing pump. Matching pumps to the fluids they will deliver will improve pump performance.

- Corrosiveness
- Abrasiveness
- Stability
- Solvent evaporation rate
- Tackiness/adhesion

Diaphragm vs. Piston Pumps

Diaphragm pumps are used for fluids with abrasive and/or shear sensitive materials.

- Groundable Acetal Pumps – excellent low cost pumps for use with flammable materials
- Polypropylene Pumps – excellent low cost pumps for non-flammable materials
- Aluminum Diaphragm Pumps – economical option for oils and water-based and some solvent-based fluids. **They should not be used with halogenated hydrocarbons**

Piston pumps offer high durability for specific fluids.

- Carbon Steel Piston Pumps – have a limited role in solvent-based applications and are not suitable for waterborne applications
- Stainless Steel Piston Pumps – highly versatile pumps offer protection from corrosion with waterborne coatings and new coatings
 - Hard Chrome Plating – for the full spectrum of non-abrasive coatings
 - Ultra or Ceramic Coating – most durable surface available for highly abrasive coatings
 - Non-Coated Stainless Steel – economical option for lower production requirement

Note: Always consult your Binks finishing pump professional when choosing your finishing pumps. In addition, refer to chemical compatibility charts to address durability and compatibility issues.

Technical Terms

Continuous Duty – pumps that operate 24/7/365.

Cycle Rate – number of times the pump completes a pump cycle in a given period of time.

Flow Rate – volume of material that can be pumped in a given period of time.

Maximum Fluid Outlet Pressure – maximum outlet fluid pressure a pump can achieve at stall, no flow.

Pump Cycle – complete upstroke and downstroke (left-right) operation of the air motor piston.

Pump Ratio – relationship between the air or hydraulic motor piston effective area and the lower displacement pump's piston effective area.

Viscosity – resistance of fluid to flowing.

Maximizing Pump Performance

Finishing pumps are influenced by many factors. Keep in mind that the pump must move material from its source through a variety of conditions to the spray gun. Be sure to discuss the following conditions with your Binks finishing pump professional to assure maximum performance of your pump.

- Power supply to ensure adequate air volume
- Air filtration treatment for pump operation
- Flow rates and recommended pressures
- Resistance to flow/back pressure
- Agitator requirements
- Pump location
- Viscosity control
- Material characteristics

Pump Families

Infinity™ Diaphragm Pump Packages

- Abrasion, solids handling, and shear sensitive materials
- Reliable and affordable transfer of low pressure, high volume coatings
- One to multiple spray guns and bulk transfer applications
- Stainless steel seats on all pumps
- Virtually “uninstallable”
- Constant air pressure to enhance performance and reduce pulsation
- Positive prime
- Used for high volume transfer
- Used in place of tanks when the application requires two or more tank refills per shift
- Low pressure conventional or HVLP applications
- Good for abrasive material
- Passages for shear sensitive materials

Infinity™ “N” Series

- Powerful performance
- Economical price

- Stainless steel construction
- Stall-free, ice-free air motor design
- 50% fewer parts
- Majority of comparable maintenance

Infinity™ “Pogo” Plus Pump

- 55 gallon drum pump
- Stub pump version
- Wetted materials, stainless steel or carbon steel
- UHMW polyethylene and Teflon™

Infinity™ Two-Ball w/ UltraCoat™

- Easy maintenance
- Aggressive, corrosive, abrasive, waterbornes, UV-cure, acid-cure, catalyzed coatings and caustic
- All-stainless steel wetted components for waterborne compatibility
- Tungsten-carbide seats
- UltraCoat™ on piston and rods that outperforms hard chrome

- UHMW polyethylene packings
- Electropolished or passivated wetted parts
- Easy-access plunger and packings
- Easy-access lower ball valve check
- Low ice air motor
- One-gun to multiple-gun application pumps

Infinity™ Four-Ball w/ UltraCoat™

- High volume fluid transfer/recirculation operations
- Waterborne paint circulation, solvent supply, DI water supply, and surface coating
- Stainless steel construction for waterborne compatibility
- Hardened stainless steel seats
- UltraCoat™ on piston and rods that outperforms hard chrome
- Passivated or electropolished stainless steel parts
- UHMW polyethylene packings
- 6" air motor stroke
- Multi-gun or large circulation application pumps

Binks Gemini & Infinity Pumps

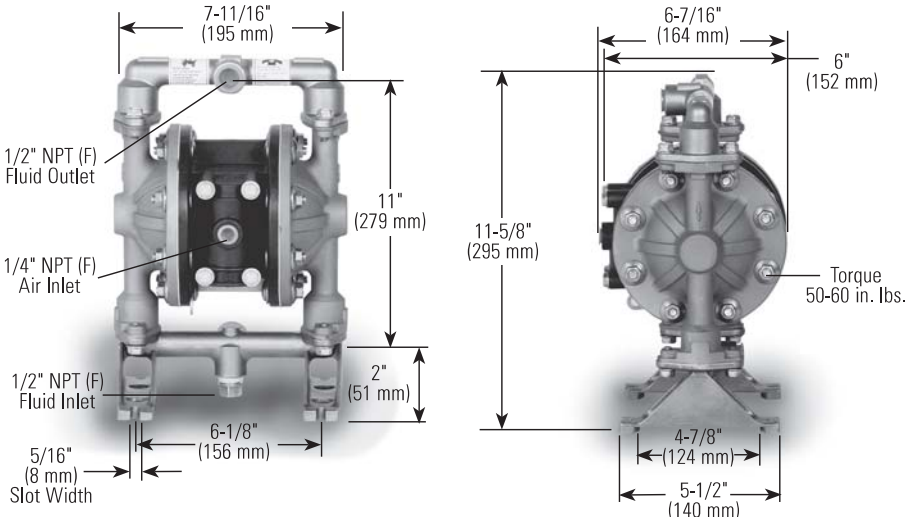
Selection Guide

PUMP TECHNOLOGY	BINKS BRAND INFINITY/GEMINI	UNIQUE BENEFIT	TYPICAL FLUIDS	TYPICAL APPLICATIONS
Gemini Diaphragm Pump (Low Pulse) (Max. Flow) 0 to 100 PSI pgs. 4-5	818830 1/2" 1:1 SS 818831 1/2" 1:1 Grnd Act 818834 1/2" 1:1 SS 818836 1/2" 1:1 Act 818838 1/2" 1:1 Alum	Economical Pump High flow capacity	Paints, inks, solvents, dyes, stains and coatings Low viscosity fluids	Paint and coating circulating systems Circulation of low viscosity inks, stains and dyes Low viscosity adhesive supply Drum transfer Low pressure air spray or HVLP supply pump
Gemini High Volume Diaphragm Pump 0 to 300 PSI pgs. 6-8	818810 1-1/2" 1:1 SS 818820 1" 1:1 Alum 818822 1" 1:1 SS 818850 1" 3:1 SS	High pressure for a diaphragm pump Low sheer output Quick color change	Paints, stains, resins, latexes, wood preservative stains, primers, adhesives, varnishes, dispersions, solvents, stains, shear-sensitive fluids, boothside, special color paints	Wood coating circulating systems Paint circulating systems Drum fluid transfer Unloading fluids
Infinity Two-Ball Piston Pump 0 to 6000 PSI pgs. 11-17	812315 11:1 812325 22:1 812335 23:1 812440 23:1 812415 40:1 812355 40:1 812365 60:1	Wide performance range capability Low to high pressure capability Uniform and easily controlled delivery	Solventborne fluids, waterborne fluids, high solid coatings, lacquers, enamels, urethanes	
Infinity Four-Ball Piston Pump 0 to 700 PSI pgs. 18-19	814410 3:1 814430 5:1	Low cycle rate operation Low shear operation	Varnishes, stains, enamels and lacquers, cleaning fluids, adhesives, sealants, waterborne and solventbornes for paint and circulating systems	Automotive paint circulation High volume paint and coating transfer Fluid transfer and supply Chemical cleaning supply pump
Infinity "N" Series Piston Pump 0 to 400 PSI pg. 9	812395 4:1	Air powered for high reliability Available in SS drum pump	Epoxies, enamels and stains, polyurethanes, solventborne and waterborne coatings	Furniture and wood, aerospace, truck and bus, farm, fleet, general metals
Infinity "Pogo" Plus Piston Pump 0 to 200 PSI pg. 10	812490 2:1 SS Drum 812491 2:1 SS Drum 812500 2:1 SS Stub 812501 2:1 SS Stub	Air powered for reliability Delivery up to 2.15 GPM Available in SS Stub or drum	Light viscosity coatings and fluids, thinners and solvents, spray adhesives, general chemicals	Fluid transfer from drum to tank Low viscosity spray adhesive supply Supply pump for spray applications of coatings and wood finishing materials

SS – Stainless Steel, CS – Carbon Steel

Gemini 1/2" Diaphragm Pumps

Max. Flow – Pump #818830 (SS), #818836 (Acetal),
 Low Pulse – #818831 (Acetal), #818834 (SS), #818838 (Alum)



NOTE: Stainless Steel Pump Shown. Groundable Acetal and Polypropylene have 4 inlets and 4 outlets

Gemini Bare Pumps 1/2", Low Pulse

MODEL	SIZE	RATIO	GPM PER CYCLE	GPM @ 60 CPM	GPM @ MAX. CPM	BODY	WETTED MATERIAL CONSTRUCTION		
							SEATS	BALLS	DIAPHRAGMS
818831	1/2"	1:1	0.02	1.2	7	Acetal	SS	SS	Teflon
818834	1/2"	1:1	0.02	1.2	7	SS	SS	SS	Teflon
818838	1/2"	1:1	0.02	1.2	7	Alum	SS	SS	Teflon

Gemini Bare Pumps 1/2", Max. Flow

MODEL	SIZE	RATIO	GPM PER CYCLE	GPM @ 60 CPM	GPM @ MAX. CPM	BODY	WETTED MATERIAL CONSTRUCTION		
							SEATS	BALLS	DIAPHRAGMS
818830	1/2"	1:1	0.04	2.4	13	SS	SS	SS	Teflon
818836	1/2"	1:1	0.04	2.4	13	Acetal	SS	SS	Teflon

Available Accessories

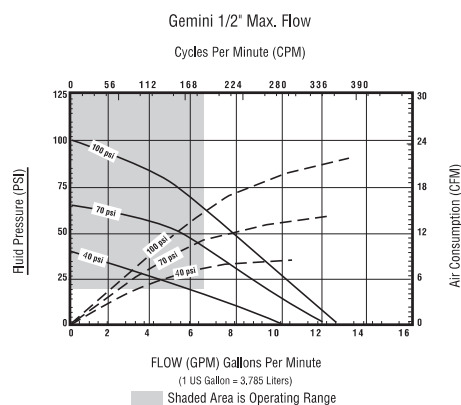
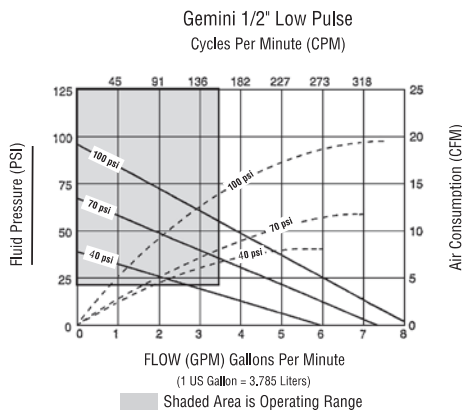
- Air Filter/Regulator849315
- Wall Mount Bracket.....873116
- Siphon 5 ft. hose w/fluid filter (5 gal) 874504

Performance – 100 PSI

- Air Inlet Pressure 20 - 100 PSI (1 - 6.9 bar)
- Fluid Pressure 20 - 100 PSI (1 - 6.9 bar)
- Max. Flow Rate (Flooded Inlet)
 - Standard Stroke
 - SS and Polypropylene 13-GPM (49.2 lpm)
 - Short Stroke
 - Groundable Acetal..... 7-GPM (26.5 lpm)
- Max. Particle Size.....3/32" Dia (2.4 lpm)
- Max. Temperature Limits
 - Stainless Steel 200° F (93° C)
 - Groundable Acetal..... 180° F (82° C)
 - Polypropylene..... 150° F (66° C)
- Flows @ 60 Cycles/Min.
 - Standard Stroke2.4 Gal (9 liters)
 - Short Stroke1.32 Gal (5 liters)
- Cycles Per Gallon (Liter)
 - Standard Stroke 25(6.6)
 - Short Stroke 45.5(512)
- Displacement Per Cycle - Standard Stroke
 - 9.24 cu. in.(151.4 cm³)
 - 5.12 oz. (151.4 ml)
 - .040 gal..... (.15 liter)
- Short Stroke
 - 5.08 cu. in.(83.3 cm³)
 - 2.8 oz. (83.3 ml)
 - .022 gal..... (.08 liter)
- Noise Level with muffler
 - @ 70 PSI @ 60 Cycles/Min.71.1 db(A)

Part Numbers

- Air Motor Repair Kit862004
- Diaphragm Repair Kit
 - Stainless Steel862040
 - Groundable Acetal.....862040
- Ball and Seat Repair Kit
 - Stainless Steel (Ball/Seat)862045
 - Teflon (Ball) SS (Seat).....862046



Gemini 1/2" Diaphragm Pump Packages

For Wood and Office Furniture, Commercial Equipment, Metal Fabrication, Metal Maintenance and Cabinet Shops



818201
Low Pulse



818210
Low Pulse



818230
Max. Flow



818220
Low Pulse

Gemini Pump Packages 1/2", Low Pulse – 100 PSI

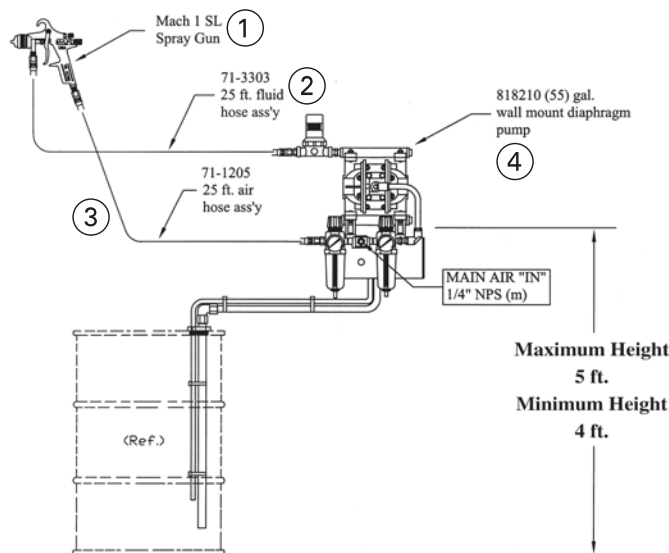
PACKAGE NUMBER	BARE PUMP NUMBER	WETTED PARTS	RATIO & SIZE	GPM @ 60 CPM	MOUNTING	AIR ■ REGLTRS.	SUCTION HOSE W/BUNG ADAPT.	AGITATOR	PRIME VALVE ▼	PULSE/FILTER ◆	FLUID REG. ▶
818201	818831	acetal, Teflon	1:1, 1/2 NPT	1.2	pail	2	pail	843000	1	1	0
818210	818831	acetal, Teflon	1:1, 1/2 NPT	1.2	wall	2	55 gallon	0	1	1	0
818220	818831	acetal, Teflon	1:1, 1/2 NPT	1.2	55 drum cover	2	55 gallon	843001	1	1	0

Gemini Pump Packages 1/2", Max. Flow – 100 PSI

PACKAGE NUMBER	BARE PUMP NUMBER	WETTED PARTS	RATIO AND SIZE	GPM @ 60 CPM	MOUNTING	AIR ■ REGLTRS.	SUCTION HOSE W/BUNG ADAPT.	AGITATOR	PRIME VALVE ▼	PULSE/FILTER ◆	FLUID REG. ▶
818150 ●	818830	SS, Teflon	1:1, 1/2 NPT	2.4	wall	2	0	0	0	0	1
818230	818836	acetal, Teflon	1:1, 1/2 NPT	2.4	55 bung	1	NR ▲	0	0	0	0

▲ Not Recommended ● Not Shown ■ 849315 ▼ 873414 ◆ 841010 ▶ 84-320

Gemini 1/2" Low Pulse Spray Outfit



MODEL #98-3024 SYSTEM COMPONENT LIST

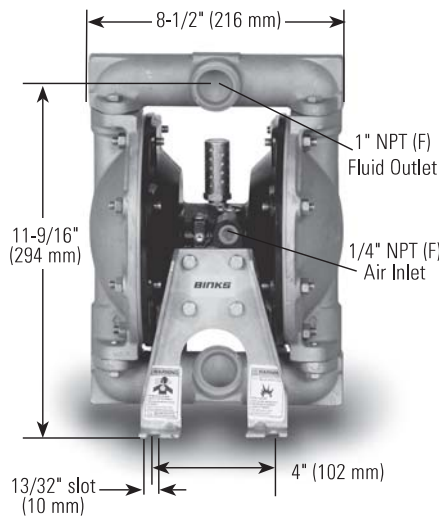
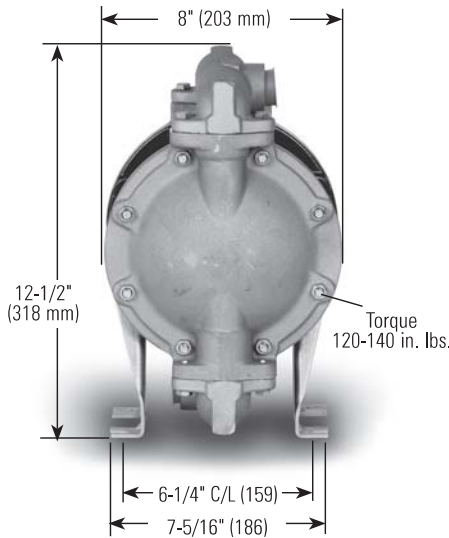
Item No.	Part No.	Description	Qty.	Part Sheet
1	7000-1204-4	Mach 1 SL Gun	1	2665
2	71-3303	Fluid Hose Ass'y	1	—
3	71-1205	Air hose Ass'y	1	—
4	818210	Gemini Pump Pkg.	1	81821X

GENERAL DESCRIPTION

This 55 gallon, wall mounted system comes complete with Mach 1 SL Gun w/94 x 94P set-up, 1:1 Gemini 1/2" Low Pulse diaphragm pump, air control, 25' air and fluid hose and 55 gallon siphon kit.

Gemini 1" Diaphragm 1:1 Pumps

Pump #818820 (Alum), #818822 (SS)



Performance – 100 PSI

Air Inlet Pressure20 - 120 PSI (1.4 - 8.3 bar)
 Fluid Pressure20 - 120 PSI (1.4 - 8.3 bar)
 Max. Flow Rate
 (Flooded Inlet).....35-GPM (133 lpm)
 Max. Particle Size..... 1/8" Dia (3.2 mm)
 Max. Temperature Limits..... 200° F (93° C)
 Flow @ 60 Cycles/Min..... 9.6 GPM (36 liters)
 Displacement Per Cycle
 36.96 cu. in.(605.66 cm³)
 20.5 oz. (605.66 ml)
 .16 gal.....(.60 liter)
 Cycles Per Gallon (Liter) 6.25 (1.66)
 Noise Level with muffler
 @ 70 PSI @ 60 Cycles/Min.64.5 db(A)

1" Wall Mount Package

Package Includes

Wall Mount Bracket, Fluid Regulator, 2 Air Filter/Regulator, and vented shut off with lockout feature. (Model nos. 818120, 818121, see chart below)



Gemini Bare Pumps 1", 1:1 – 100 PSI

MODEL	SIZE	RATIO	GPM PER CYCLE	GPM @ 60 CPM	GPM @ MAX. CPM	WETTED MATERIAL CONSTRUCTION			
						BODY	SEATS	BALLS	DIAPHRAGMS
818820	1"	1:1	0.16	9.6	35	Alum	SS	SS	Teflon
818822	1"	1:1	0.16	9.6	35	SS	SS	SS	Teflon

Repair Kit Part Numbers

Air Motor Repair Kit862003
 Diaphragm Repair Kit.....862020
 Ball and Seat Repair Kit
 Stainless Steel (Ball/Seat)862025
 Teflon (Ball) SS (Seat).....862026

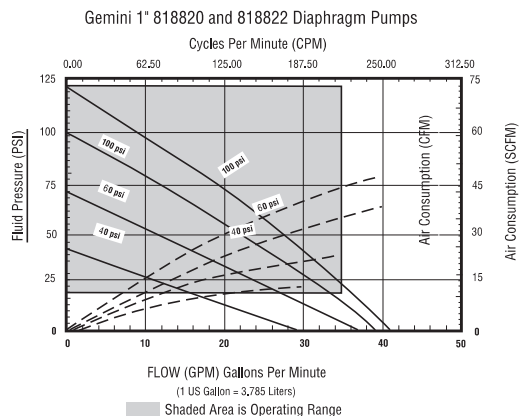
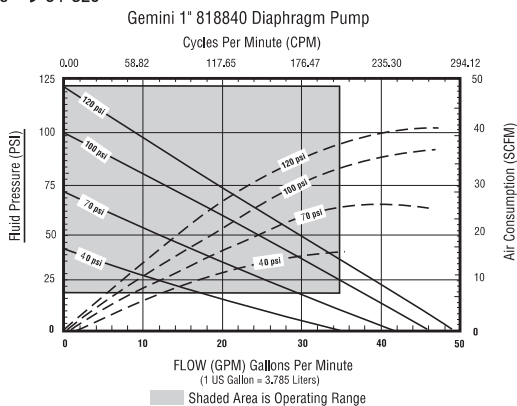
Available Accessories

Air Filter/Regulator849315
 Wall Mount Bracket.....873115
 Siphon Kit 5' Hose with Strainer
 5 Gallon874500
 55 Gallon874501
 Siphon Kits Include: 5' hose, SS fittings, tube and strainer

Gemini Pump Packages 1", 1:1 – 100 PSI

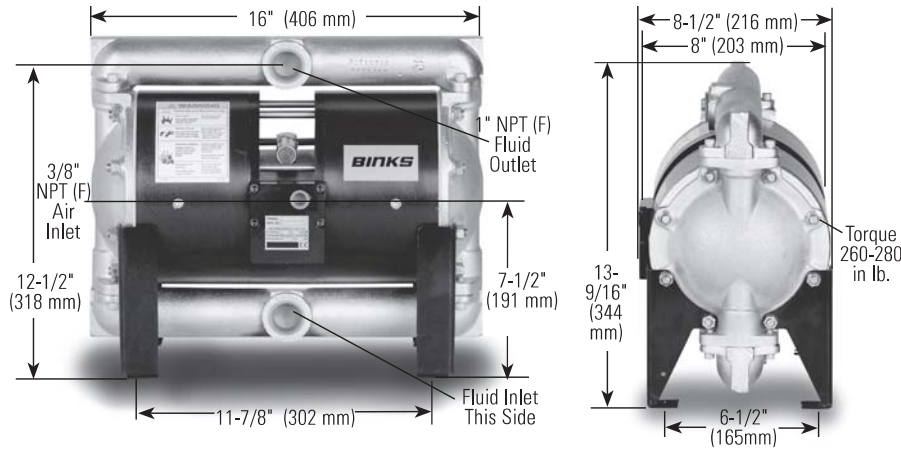
PACKAGE NUMBER	BARE PUMP NUMBER	WETTED PARTS	RATIO AND SIZE	GPM @ 60 CPM	MOUNTING	AIR REGLTRS.	SUCTION HOSE W/BUNG ADAPT.	AGITATOR	PRIME VALVE	PULSE/FILTER	FLUID REG. ▶
818120	818820	Alum, Teflon	1:1, 1 NPT	9.6	wall	2	0	0	0	0	1
818121	818822	SS, Teflon	1:1, 1 NPT	9.6	wall	2	0	0	0	0	1

■ 849315 ▶ 84-320



Gemini 1" Hi-Volume 3:1 Pump

Pump #818850 (SS) – Ratio 2.65:1 Diaphragm Pump



Performance – 300 PSI

Air Inlet Pressure20 - 100 PSI (1.4 - 6.8 bar)
 Fluid Pressure 50 - 265 PSI (4 - 20.4 bar)
 Inlet/Outlet 1" NPT
 Max. Flow Rate
 (Flooded Inlet)..... 15-GPM
 Max. Particle Size.....1/8" Dia (3.2 mm)
 Max. Temperature Limits..... 200° F (93°)
 Flow @ 60 Cycles/Min 5.4 Gal.(20.4 liters)
 Displacement Per Cycle
 20.79 cu. in.(340.7 cm³)
 11.52 oz. (340.7 ml)
 .09 gal. (.34 liter)
 Cycles Per Gallon (Liter) 11.1 (2.9)
 Noise Level with muffler
 @ 70 PSI @ 60 Cycles/Min.....84.5 db(A)

Wall Mount Bulk Transfer



These bulk transfer/high volume finishing pumps can efficiently transfer finishing coatings to a day tank. The 3:1 pump can supply large circulating systems. Both pumps are designed to handle heavy abrasive coatings. 1" inlet-outlet. *Lubrication required for 24 hours a day and 7 days a week, Operation only.*

MODEL #818100
 3:1 DIAPHRAGM INCLUDES:
 Pump 818800
 Wall Bracket 873134
 Air Control 849315
 Vented Shut Off 849311

Specifications

Air Motor.....Unbalanced
 Wetted Pump Material..... Stainless Steel
 Diaphragm Material Teflon
 Seat Stainless Steel
 Balls (standard)..... Stainless Steel
 Weight:95 lbs (43 kgs)

Repair Kit Part Numbers

Air Motor Repair Kit862007
 Diaphragm Repair Kit.....862006
 Ball and Seat Repair Kit
 Stainless Steel (Ball/Seat).....862025

Gemini Bare Pump 1", 3:1 – 300 PSI

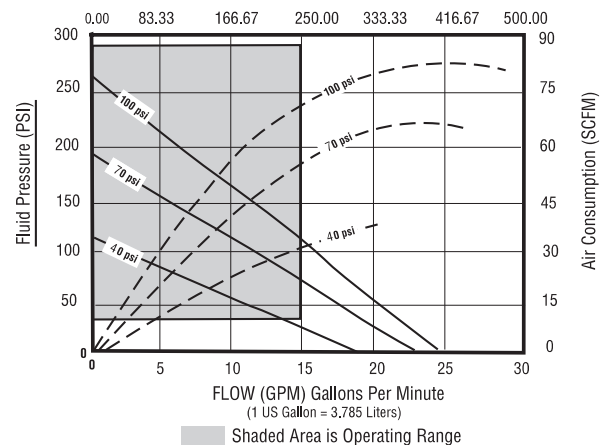
MODEL	SIZE	RATIO	GPM PER CYCLE	GPM @ 60 CPM	GPM @ MAX. CPM	WETTED MATERIAL CONSTRUCTION			
						BODY	SEATS	BALLS	DIAPHRAGMS
818850	1"	3:1	0.09	5.4	24	SS	SS	SS	Teflon

Gemini Pump Packages 1", 3:1 – 300 PSI

PACKAGE NUMBER	BARE PUMP NUMBER	WETTED PARTS	RATIO AND SIZE	GPM @ 60 CPM	MOUNTING	AIR REGLTRS. ■
818100	818150	SS, Teflon	3:1, 1 NPT	5.4	wall	1

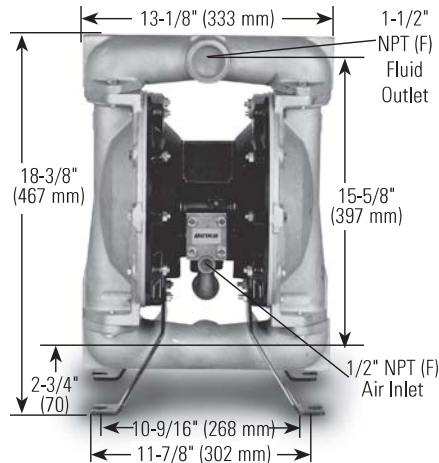
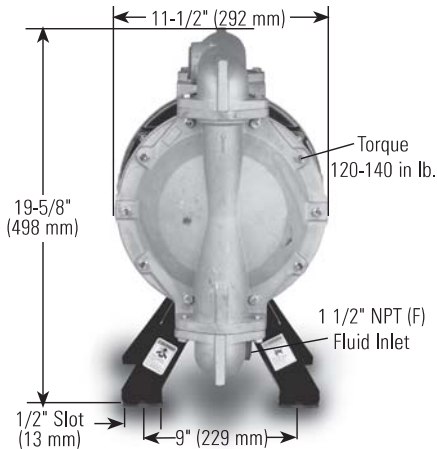
■ 849315

Gemini 3:1 High Volume SS Diaphragm Pump
 Cycles Per Minute (CPM)



Gemini 1 1/2" Hi-Volume 1:1 Pump

Pump #818810 (SS) – 1 1/2" Diaphragm



Performance – 100 PSI

Air Inlet Pressure 20 - 120 PSI (1 - 8.3 bar)
 Fluid Pressure 20 - 120 PSI (1 - 8.3 bar)
 Max. Flow Rate
 (Flooded Inlet)..... 90-GPM (340.2 lpm)
 Max. Particle Size..... 1/4" Dia (6.4 mm)
 Max. Temperature Limits..... 150° F (66° C)
 Flows @ 60 Cycles/Min..... 43.8 Gal.(165.6 liters)
 Displacement Per Cycle
 147.8 cu. in. (2420 cm³)
 82 oz..... (2420 ml)
 .64 gal..... (2.42 liters)
 Cycles Per Gallon (Liter) 1.3 (.36)
 Noise Level with muffler
 @ 70 PSI @ 60 Cycles/Min..... 77.7 db(A)

Wall Mount Bulk Transfer



These bulk transfer/high volume finishing pumps can efficiently transfer finishing coatings to a day tank. The 1:1 pump can supply large circulating systems. The pump is designed to handle heavy abrasive coatings.

MODEL #818110

1 1/2" PUMP INCLUDES:

Pump	818810
Wall Bracket	873135
Air Control	849315
Vented Shut Off	849311

Specifications

Air Motor.....Unbalanced
 Wetted Pump Material..... Stainless Steel
 Diaphragm Material Teflon
 Seat Stainless Steel
 Balls Stainless Steel
 Weight..... 84 lbs (38.1 kgs)

Repair Kit Part Numbers

Air Motor Repair Kit	862003
Diaphragm Repair Kit.....	862010
Ball and Seat Repair Kit	
SS (Ball) SS (Seat).....	862016
Teflon (Ball) SS (Seat).....	862015

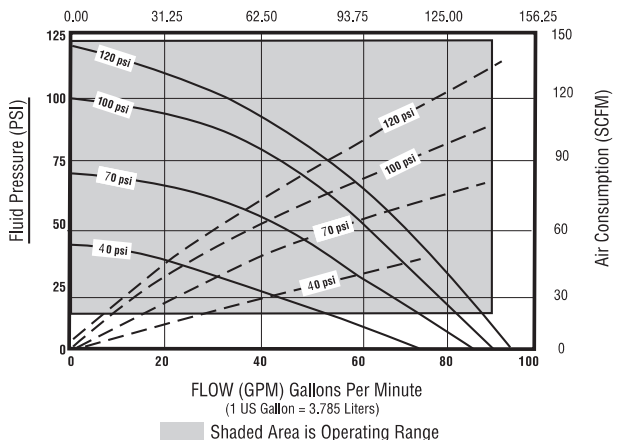
Gemini Bare Pump 1 1/2", 1:1 – 100 PSI

MODEL	SIZE	RATIO	GPM PER CYCLE	GPM @ 60 CPM	GPM @ MAX. CPM	WETTED MATERIAL CONSTRUCTION			
						BODY	SEATS	BALLS	DIAPHRAGMS
818810	1 1/2"	1:1	0.64	38	90	SS	SS	SS	Teflon

Available Accessories

Air Filter/Regulator	849315
Wall Mount Bracket.....	873135

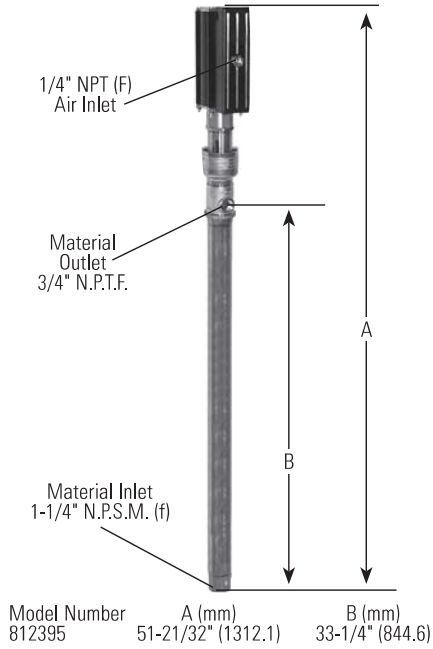
Gemini 1 1/2" High Volume SS Diaphragm Pump
Cycles Per Minute (CPM)



Infinity "N" Series Pumps 4:1 Ratio

#812395 Stainless Steel 300 Series (Drum)

Model 812395



Specifications

Model Series (refer to option chart)..... 81238X
 Type Air Operated, Two Ball
 Air Motor......842005
 Motor Repair Kit......861030
 Motor Diameter3" (7.62 cm)
 Stroke (Double Acting)......3" (7.62 cm)
 Air Inlet......1/4 - 18 N.P.T.F. - 1 (female)
 Lower Pump End Repair Kit.. .861091 (Leat., Tef)
 Models 812385......871090
 Lower Pump Repair Kit......861082 (Leat., Tef)
 Material Inlet
 All Models
 except 812385...... 1-1/2 N.P.T.F. - 1 (female)

Available Accessories

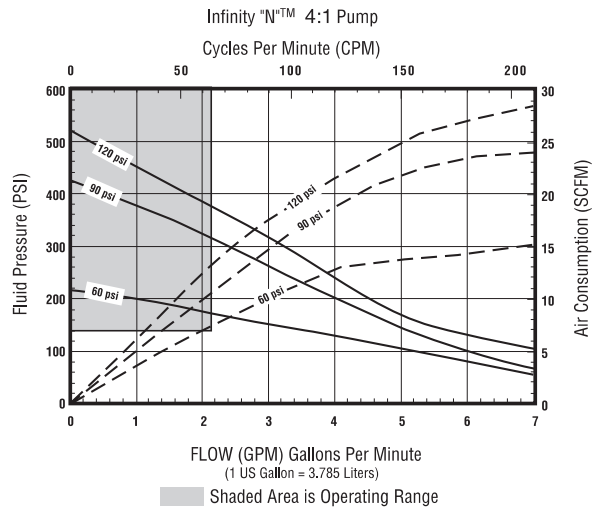
Air Filter/Regulator849315
 Wall Mount Bracket (Stub Pump)......873116
 Fluid Filter841006
 Wall/Drum Mount Bracket
 for Drum Pumps......873184
 Wet Sol Packing Lubricant......863009

Performance – 400 PSI

Air Inlet Pressure Range... 0 - 150 PSI (0 - 10.3 bar)
 Fluid Pressure Range..... 0 - 600 PSI (0 - 41.4 bar)
 Max. Rec'd Cycles/Min.....120
 Displacement Per Cycle11 cu. in.
 Volume/Cycle 6.1 oz. (180.2 ml)
 Cycles Per Gallon21
 Flow @ 60 Cycles/Min.....2.86 GPM (10.814 l.p.m.)
 Noise Level @ 100 PSI..... 85 db(A)

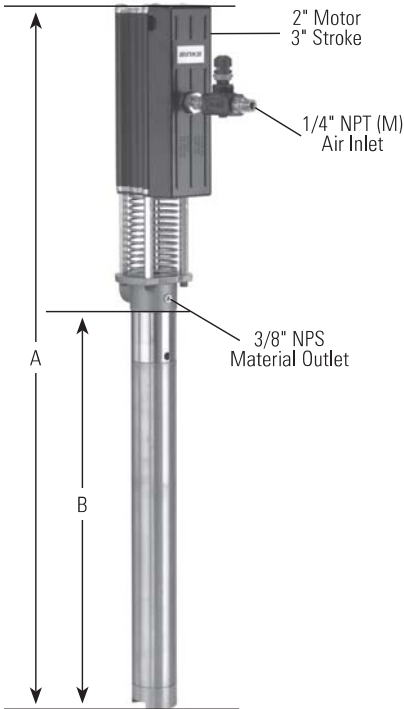
Materials of Construction 812395

Lower Pump Material..... Stainless Steel
 Plunger Material..... Stainless Steel
 Cylinder Material..... Stainless Steel
 Packing SetUHMW Polyethylene
 Max. 120°F Fluid Inlet Temp. (Standard)
 Max. 180°F Fluid Inlet Temp. (Optional)
 Weight (Drum) 46 lbs. (20.7 kgs.)



Infinity "Pogo" Plus Pump

Pump #812490, #812491 (Drum (SS)), #812500, #812501 (Stub (SS)),
Ratio 2:1 – 200 PSI SS = Stainless Steel, CS = Carbon Steel



POGO Plus

Performance – 200 PSI

Air Inlet Pressure 0 - 150 PSI (0 - 10.3 bar)
 Fluid Pressure Range 0 - 300 PSI (0 - 24.2 bar)
 Max. Cycles/Min. 120
 Displacement Per Cycle 8.28 cu. in.
 Volume Per Cycle 4.59 oz. (135.6 ml)
 Cycles Per Gallon (Liter) 27.9
 Flow @ 60 Cycles/Min. 2.15 GPM (8.14 lpm)

Materials of Construction 81249X and 81245X (SS)

Noise Level @ 100 PSI 80 db(A)
 Lower Pump Material Stainless Steel
 Plunger Material 300 Series SS
 Cylinder Material Stainless Steel
 812490, 812500 Packing Set... UHMW Polyethylene
 Max. 120° F Fluid Inlet Temp. (Standard)
 812491, 812501 Packing Set Teflon
 Weight Drum 22.5 lbs. (10.2 kgs.)
 Stub 17.2 lbs. (7.8 kgs.)

Part Numbers for 81249X and 81245X (SS)

Air Motor 842010
 Air Motor Repair Kit 861150
 Lower Pump Assembly (End Series)
 Lower Pump Repair Kit UHMW 861140
 Lower Pump Repair Kit PTFE 861141

Materials of Construction 81247X and 81248X (CS)

Lower Pump Material Carbon Steel
 Plunger Material ... Carbon Steel (Chrome Plated)
 Cylinder Material Carbon Steel
 812470, 812480 Packing Set... UHMW Polyethylene
 Max. 120° F Fluid Inlet Temp. (Standard)
 812471, 812481 Packing Set Teflon
 Weight Drum 19.6 lbs. (8.9 kgs.)
 Stub 17.5 lbs. (7.9 kgs.)

Available Accessories

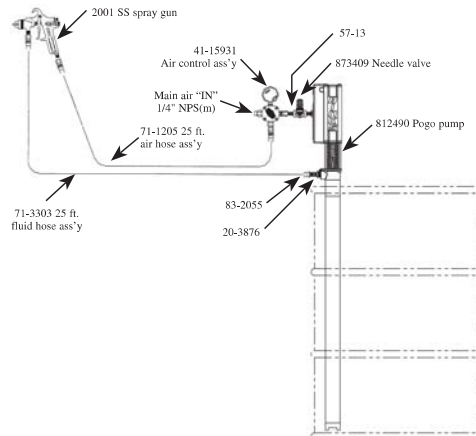
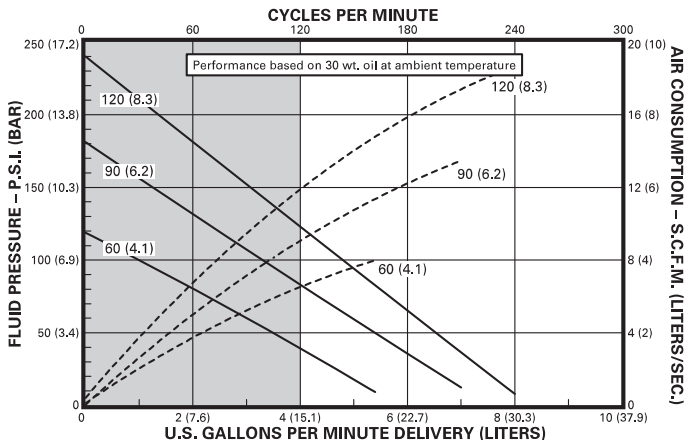
Air Control 41-15931
 Wall Mount or Open Drum Mount Bracket... 873184

Dimensional Data

MODEL	A (mm)	B (mm)	Weight (kg)
81249X ●	47-3/4" (1211.8)	33-11/16" (855.6)	22.5 (10.2)
81250X ▲	33-7/8" (859.9)	19-7/8" (503.7)	17.2 (7.8)

Capacity: ● 55 Gal. ▲ 5 Gal.

*All Pogo Pumps come complete and ready to use.



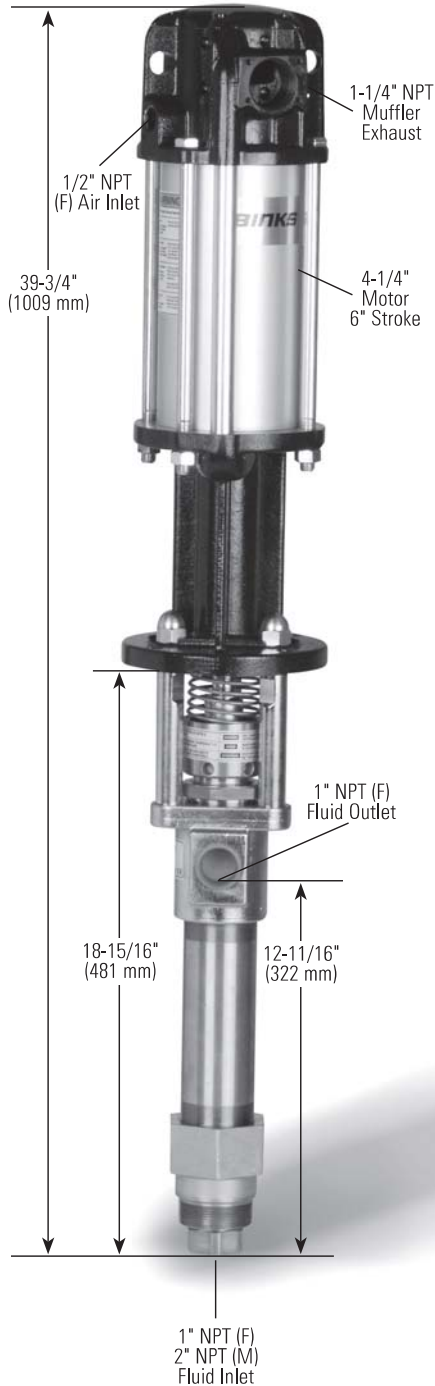
Pogo Plus Spray Finishing Outfit Model #98-3061

General Description

Excellent for solvent based adhesives. This (55) gallon bung system is complete with 2100 SS gun w/66SS x 66SD-3 set-up, 2:1 ratio supply pump with air control and 25 ft. fluid and air hose assemblies.

Infinity 11:1 Two-Ball Pump

Pump #812315 – Ratio 11:1 – 1100 PSI



Performance – 1100 PSI

Air Inlet Pressure	30 - 150 PSI (2 - 10.2 bar)
Fluid Pressure330 - 1650 PSI (22.4 - 112.2 bar)
Max. Cycles/Min.	60
Displacement Per Cycle		
14.5 cu. in.	(238 cm ³)
8 oz.	(238 ml)
.06 gal.	(.23 liter)
Cycles Per Gallon (Liter)	16 (4.2)
Flow @ 60 Cycles/Min.	3.77 GPM (13.9 lpm)
Noise Level with muffler		
@ 60 PSI @ 40 Cycles/Min.81.8 db(A)

Materials of Construction

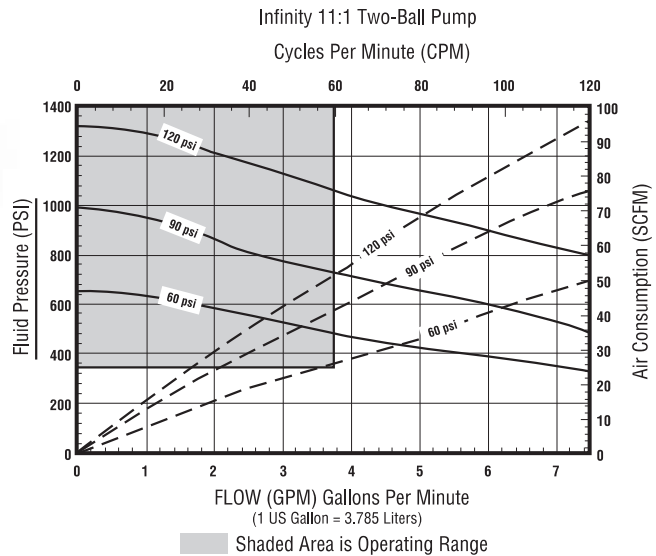
Lower Pump Material	316 SS Stnls. Steel
Plunger Material	17-4 Stnls. Steel, UltraCoat™ Ceramic Coating
Cylinder Material	316 Stnls. Steel, UltraCoat™ Ceramic Coating
Packing Set	UHMW Polyethylene
Max. 120° F Fluid Inlet Temp. (Standard)		
Max. 180° F Fluid Inlet Temp. (Optional)		
Weight	42.9 lbs. (19.5 kgs.)

Part Numbers

Air Motor	842001
Air Motor Repair Kit	861031
Lower Pump Assembly	871002
Lower Pump Repair Kit (UHMW)	861000
Optional Lower Pump Repair Kit		
Teflon/Leather (Upper and Lower)	861001

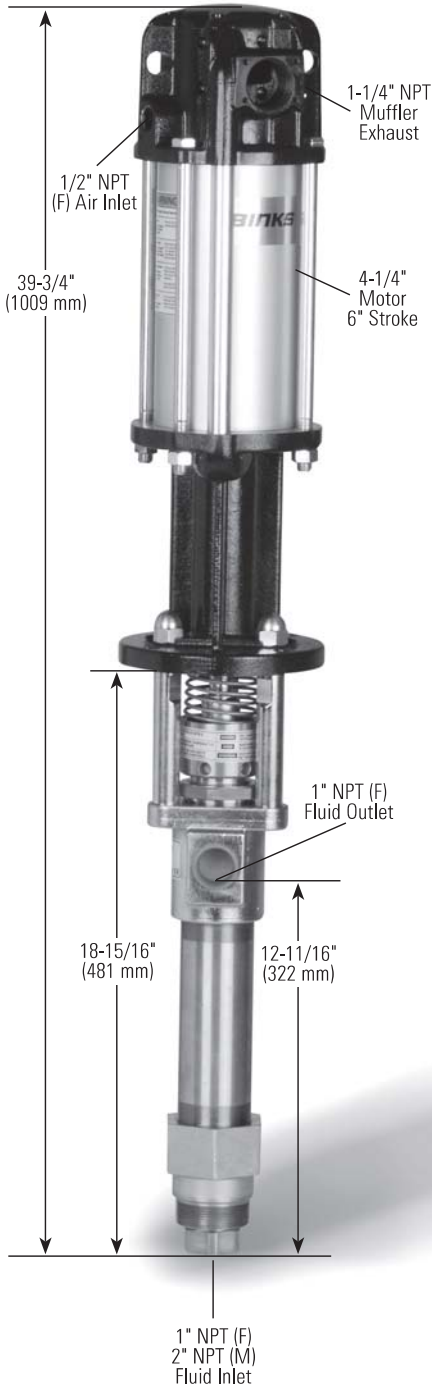
Available Accessories

Air Filter/Regulator	849315
Wall Mount Bracket	873115
Cart	873186
Muffler	873158
Fluid Filter	841006
Wet Sol Packing Lubricant	863009
Siphon Kits		
5 gallon	874500
55 gallon	874501
Siphon Kits Include: 5' hose, SS fittings, tube and strainer		
Wall Mount 11:1 Package. Includes: muffler, air filter/regulator, outlet filter, relief valve, shutoff valve and needle valve	812115



Infinity 22:1 Two-Ball Pump

Pump #812325 – Ratio 22:1 – 2200 PSI



Performance – 2200 PSI

Air Inlet Pressure 30 - 150 PSI (2 - 10.2 bar)
Fluid Pressure 660 - 3300 PSI (44.8 - 224.4 bar)
Max. Cycles/Min. 60
Displacement Per Cycle	
7.5 cu. in. (122.9 cm ³)
4.1 oz. (122.9 ml)
.03 gal. (.12 liter)
Cycles Per Gallon (Liter) 30.8 (8.1)
Flow @ 60 Cycles/Min. 1.9 GPM (7.2 lpm)
Noise Level with muffler	
@ 60 PSI @ 40 Cycles/Min. 81.8 db(A)

Materials of Construction

Lower Pump Material 316 SS Stnls. Steel
Plunger Material 17-4 Stnls. Steel,
UltraCoat™ Ceramic Coating	
Cylinder Material 316 Stnls. Steel,
UltraCoat™ Ceramic Coating	
Packing Set UHMW Polyethylene
Max. 120° F Fluid Inlet Temp. (Standard)	
Max. 180° F Fluid Inlet Temp. (Optional)	
Weight 42.9 lbs. (19.5 kgs.)

Part Numbers

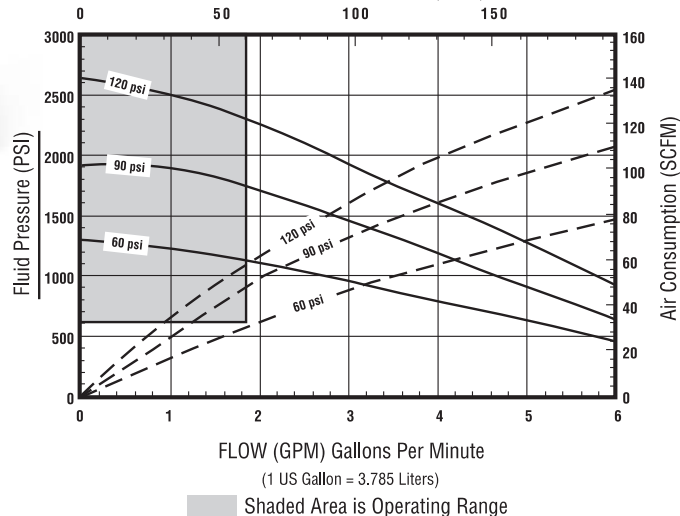
Air Motor 842001
Air Motor Repair Kit 861031
Lower Pump Assembly 871012
Lower Pump Kit (UHMW) 861010
Optional Lower Pump Repair Kit	
Teflon/Leather (Upper and Lower) 861011

Available Accessories

Air Filter/Regulator 849315
Wall Mount Bracket 873115
Cart 873186
Muffler 873158
Fluid Filter 841006
Wet Sol Packing Lubricant 863009
Siphon Kits	
5 gallon 874500
55 gallon 874501
Siphon Kits Include: 5' hose, SS fittings, tube and strainer	
22:1 Wall Mount Package. Includes: muffler, air filter/regulator, outlet filter, reload valve, shutoff valve and needle valve 812125

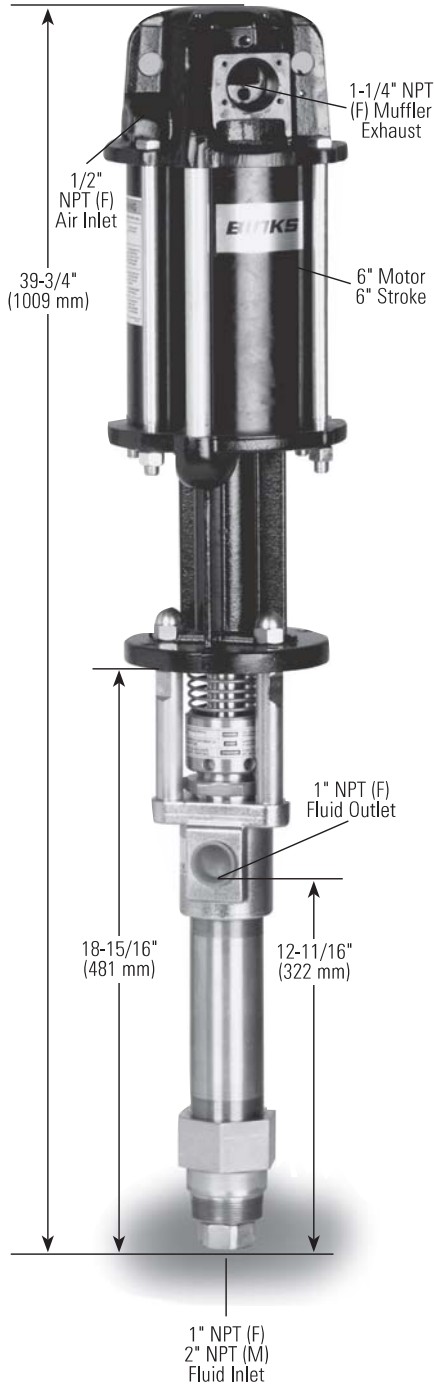


Infinity 22:1 Two-Ball Pump
Cycles Per Minute (CPM)



Infinity 23:1 Two-Ball Pump

Pump #812335 – Ratio 23:1 – 2300 PSI



Performance – 2300 PSI

Air Inlet Pressure 30 - 150 PSI (2 - 10.2 bar)
Fluid Pressure 690 - 3450 PSI (46.9 - 234.6 bar)
Max. Cycles/Min. 60
Displacement Per Cycle	
14.5 cu. in. (238 cm ³)
8 oz. (238 ml)
.06 gal. (.23 liter)
Cycles Per Gallon (Liter) 15.9 (4.2)
Flow @ 60 Cycles/Min. 3.77 GPM (13.9 lpm)
Noise Level with muffler	
@ 60 PSI @ 40 Cycles/Min. 84.8 db(A)

Materials of Construction

Lower Pump Material 316 SS Stnls. Steel
Plunger Material 17-4 Stnls. Steel, UltraCoat™ Ceramic Coating
Cylinder Material 316 Stnls. Steel, UltraCoat™ Ceramic Coating
Packing Set UHMW Polyethylene
Max. 120° F Fluid Inlet Temp. (Standard)	
Max. 180° F Fluid Inlet Temp. (Optional)	
Weight 46.2 lbs. (21 kgs.)



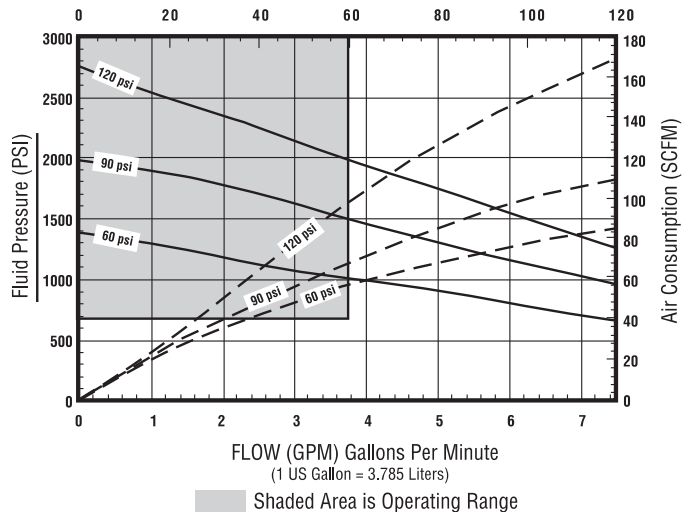
Part Numbers

Air Motor 842002
Air Motor Repair Kit 861032
Lower Pump Assembly 871002
Lower Pump Repair Kit (UHMW) 861000
Optional Lower Pump Repair Kit	
Teflon/Leather (Upper and Lower) 861001

Available Accessories

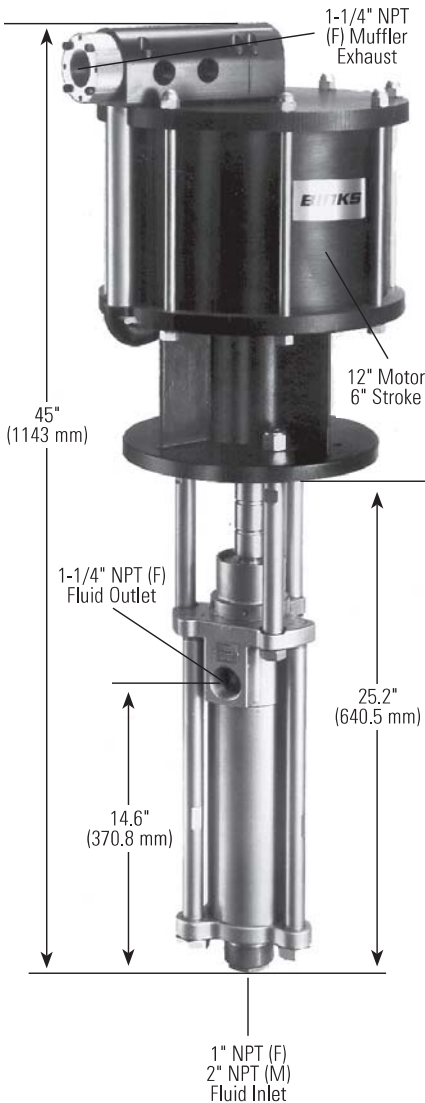
Air Filter/Regulator 849315
Wall Mount 873115
Cart 873186
Muffler 873158
Fluid filter 841006
Wet Sol Packing Lubricant 863009
Siphon Kits	
5 gallon 874500
55 gallon 874501
Siphon Kits Include: 5' hose, SS fittings, tube and strainer	
Wall Mount Outfit. Includes: muffler, air filter/regulator, outlet filter, relief valve, shutoff valve and needle valve 812135
Cart Mount Outfit. Includes: muffler, air filter/regulator, outlet filter, relief valve, shutoff valve and needle valve 812225

Infinity 23:1 Two Ball Pump
Cycles Per Minute (CPM)



Infinity 23:1 Two-Ball Pump

Pump #812440 – Ratio 23:1 – 15 GPM – 2300 PSI



Performance – 2300 PSI

Air Inlet Pressure30-90 PSI (2.1-6.1 bar) Max.
 Fluid Pressure . . .690-2070 PSI (47.6-140.8 bar) Max.
 Max. Cycles/Min.70
 Displacement Per Cycle 59.9 (981.5 cm³)
 Cycles Per Gallon(Liter)3.8 (1.01)
 Flow @ 60 Cycles/Min. 15 GPM (56.7 lpm)
 Noise Level with muffler
 @ 60 PSI @ 40 Cycles/Min. 88 db(A)

Materials of Construction

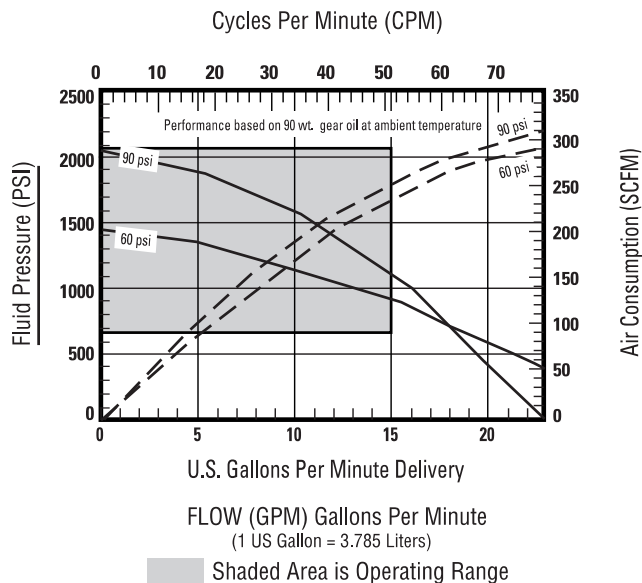
Lower Pump Material. 316 SS Stnls. Steel
 Plunger Material. . . 15-5 Stnls. Steel, ChromePlated
 Cylinder Material. . . 15-5 Stnls. Steel, ChromePlated
 Material Inlet 2" NPT (M)
 Material Outlet. 1-1/4" NPT (F)
 Weight. 140 lbs. (63.6 kgs.)

Part Numbers

Air Motor. 842007
 Air Motor Repair Kit 861086
 Lower Pump Assembly 871100
 Lower Pump Repair Kit, UHMW 861100
 Lower Pump Repair Kit, Teflon. 861101

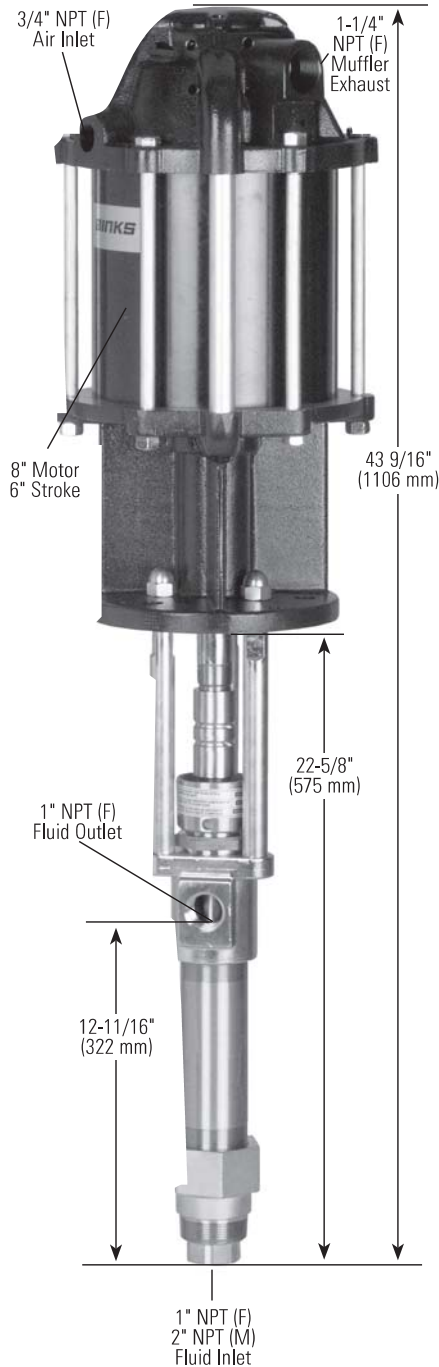
Available Accessories

Air Filter/Regulator 849315
 Wall Mount Bracket. 873189
 Muffler. 873364
 Wet Sol Packing Lubricant. 863009



Infinity 40:1 Two-Ball Pump

Pump #812415 – Ratio 40:1 – 4000 PSI



Performance – 4000 PSI

Air Inlet Pressure	30 - 120 PSI (2 - 8.1 bar)
Fluid Pressure	1200 - 4800 PSI (81.6 - 326.5 bar)
Max. Cycles/Min.	60
Displacement Per Cycle	
14.5 cu. in.	(238 cm ³)
8 oz.	(238 ml)
.06 gal.	(.23 liter)
Cycles Per Gallon (Liter)	16 (4.2)
Flow @ 60 Cycles/Min.	3.77 GPM (13.9 lpm)
Noise Level with muffler	
@ 60 PSI @ 40 Cycles/Min.	89.9 db(A)

Materials of Construction

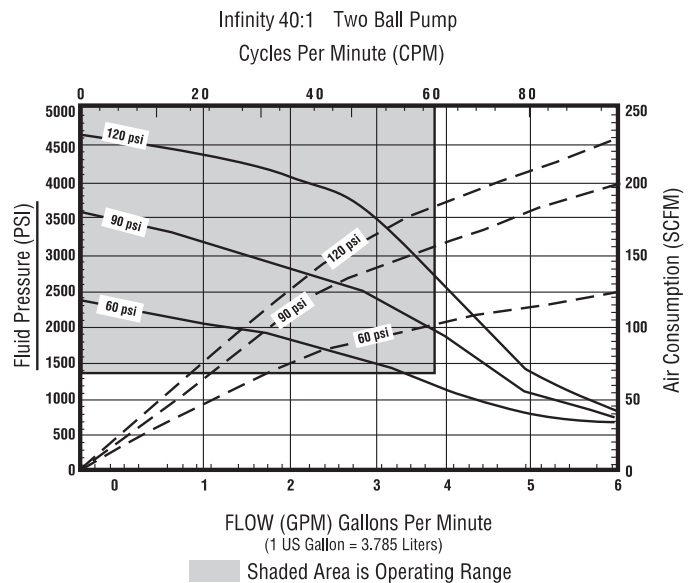
Lower Pump Material	316 SS Stnls. Steel
Plunger Material	17-4 Stnls. Steel, UltraCoat™ Ceramic Coating
Cylinder Material	316 Stnls. Steel, UltraCoat™ Ceramic Coating
Packing Set	UHMW Polyethylene
Max. 120° F Fluid Inlet Temp. (Standard)	
Max. 180° F Fluid Inlet Temp. (Optional)	
Weight	68.1 lbs. (30.9 kgs.)

Part Numbers

Air Motor	842003
Air Motor Repair Kit	861033
Lower Pump Repair Kit (UHMW)	861000
Optional Lower Pump Repair Kit	
Teflon/Leather (Upper and Lower)	861001

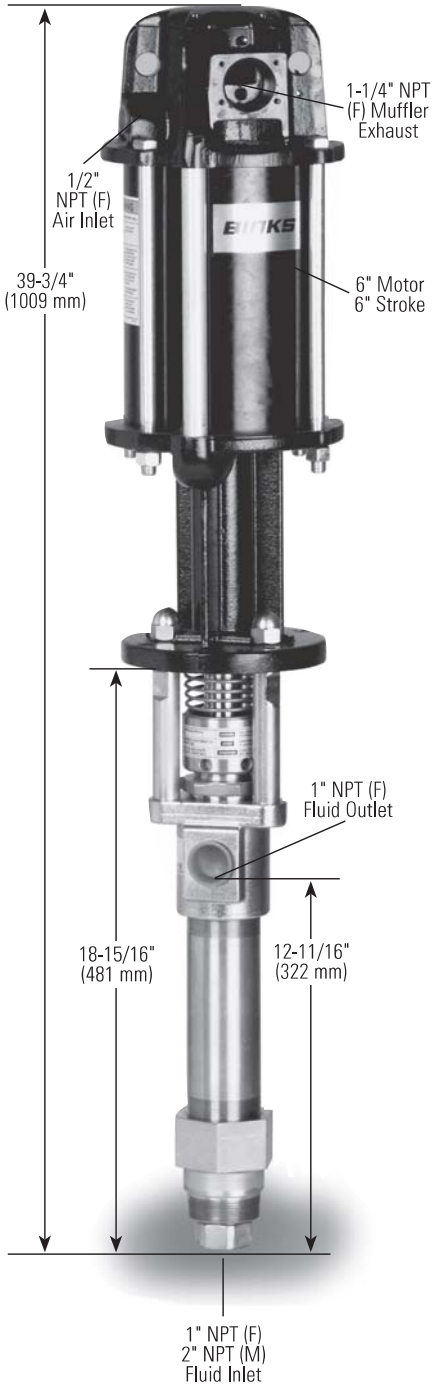
Available Accessories

Air Filter/Regulator	849315
Wall Mount Bracket	873237
Muffler	873190
Fluid filter	841006
Wet Sol Packing Lubricant	863009
Siphon Kits	
5 gallon	874500
55 gallon	874501
Siphon Kits Include:	5' hose, SS fittings, tube and strainer



Infinity 45:1 Two-Ball Pump

Pump #812355 – Ratio 45:1 – 4500 PSI



Performance – 4500 PSI

Air Inlet Pressure 30 - 120 PSI (2 - 8.3 bar)
Fluid Pressure 1350 - 5400 PSI (91.8 - 367 bar)
Max. Cycles/Min. 60
Displacement Per Stroke	
7.5 cu. in. (122.9 cm ³)
4.1 oz. (122.9 ml)
.03 gal. (.12 liter)
Cycles Per Gallon (Liter) 30.9 (8.1)
Flow @ 60 Cycles/Min. 1.9 GPM (7.2 lpm)
Noise Level with muffler	
@ 60 PSI @ 40 Cycles/Min. 84.8 db(A)

Materials of Construction

Lower Pump Material 316 SS Stnls. Steel
Plunger Material 17-4 Stnls. Steel,
UltraCoat™ Ceramic Coating	
Cylinder Material 316 Stnls. Steel,
UltraCoat™ Ceramic Coating	
Packing Set UHMW Polyethylene
Max. 120° F Fluid Inlet Temp. (Standard)	
Max. 180° F Fluid Inlet Temp. (Optional)	
Weight 46.2 lbs. (21 kgs.)

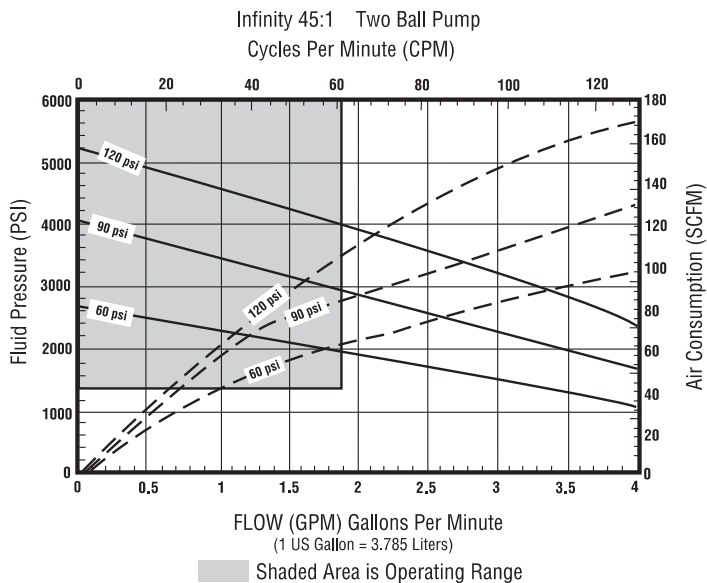
Part Numbers

Air Motor 842002
Air Motor Repair Kit 861032
Lower Pump Assembly 871012
Lower Pump Repair Kit (UHMW) 861010
Optional Lower Pump Repair Kit	
Teflon/Leather (Upper and Lower) 861011

Available Accessories

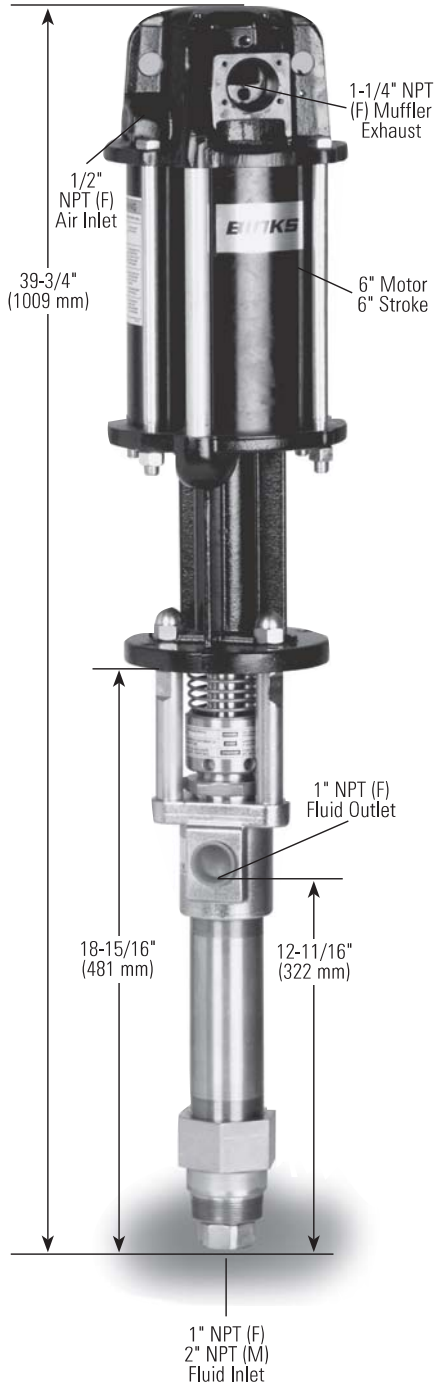
Air Filter/Regulator 849315
Wall Mount Bracket 873115
Cart 873186
Muffler 873158
Fluid filter 841006
Wet Sol Packing Lubricant 863009
Siphon Kits	
5 gallon 874500
55 gallon 874501
Siphon Kits Include: 5' hose, SS fittings, tube and strainer	

**SPECIAL ORDER PUMP
LONG LEAD TIME**



Infinity 60:1 Two-Ball Pump

Pump #812365 – Ratio 60:1 – 6000 PSI



Performance – 6000 PSI

Air Inlet Pressure	30 - 100 PSI (2 - 6.9 bar)
Fluid Pressure	1800 - 6000 PSI (122 - 408 bar)
Max. Cycles/Min.	60
Displacement Per Cycle	
5.5 cu. in.	(90.1 cm ³)
3 oz.	(90.1 ml)
.024 gal.	(.09 liter)
Cycles Per Gallon (Liter)	41.9 (11)
Flow @ 60 Cycles/Min.	1.4 GPM (4.9 lpm)
Noise Level with muffler	
@ 60 PSI @ 40 Cycles/Min.	84.8 db(A)

Materials of Construction

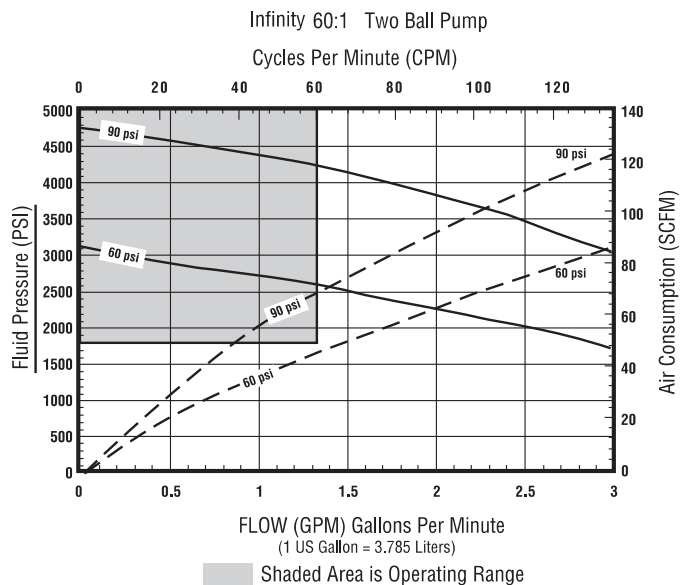
Lower Pump Material	316 SS Stnls. Steel
Plunger Material	17-4 Stnls. Steel, UltraCoat™ Ceramic Coating
Cylinder Material	316 Stnls. Steel, UltraCoat™ Ceramic Coating
Packing Set	UHMW Polyethylene
Max. 120° F Fluid Inlet Temp. (Standard)	
Max. 180° F Fluid Inlet Temp. (Optional)	
Weight	46.2 lbs. (21 kgs.)

Part Numbers

Air Motor	842002
Air Motor Repair Kit	861032
Lower Pump Repair Kit (UHMW)	861020
Optional Lower Pump Repair Kit	
Teflon/Leather (Upper and Lower)	861021

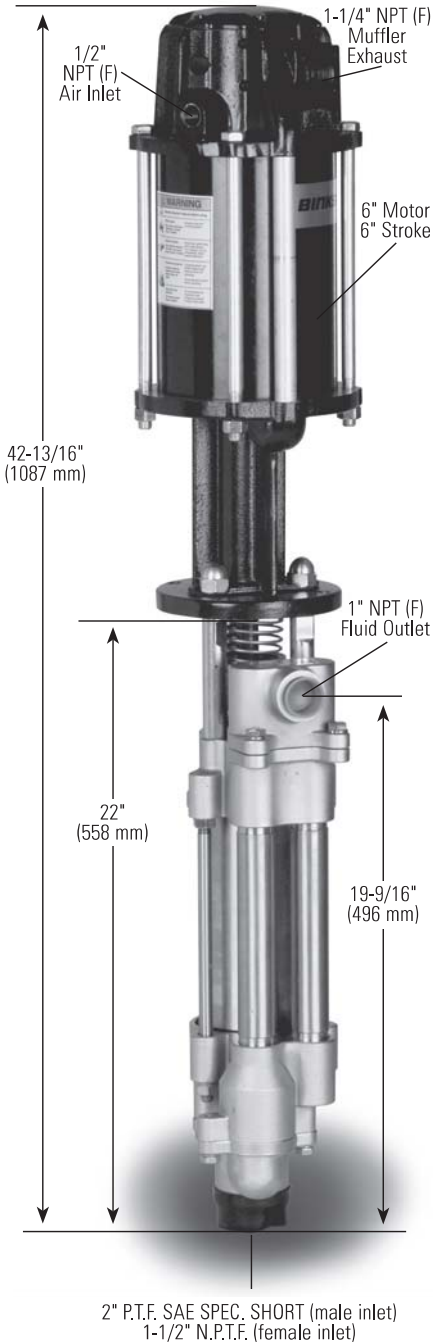
Available Accessories

Air Filter/Regulator	849315
Wall Mount Bracket	873115
Cart	873186
Muffler	873158
Fluid filter	841006
Wet Sol Packing Lubricant	863009
Siphon Kits	
5 gallon	874500
55 gallon	874500
Siphon Kits Include: 5' hose, SS fittings, tube and strainer	



Infinity 3:1 Four-Ball Pump

Pump #814410 – Ratio 3:1 – 300 PSI



Performance – 300 PSI

Air Inlet Pressure30 - 150 PSI (2.1 - 10.2 bar)
Fluid Pressure90 - 450 PSI (6.1 - 30.6 bar)
Max. Cycles/Min.60
Displacement Per Cycle	
112.7 cu. in. (1846.8 cm ³)
62 oz. (1846.8 ml)
.49 gal. (1.8 liters)
Cycles Per Gallon(Liter) 2.05 (.54)
Flow @ 60 Cycles/Min. 29.3 GPM (110.8 lpm)
Noise Level with muffler	
@ 60 PSI @ 40 Cycles/Min. 84.8 db(A)

Materials of Construction

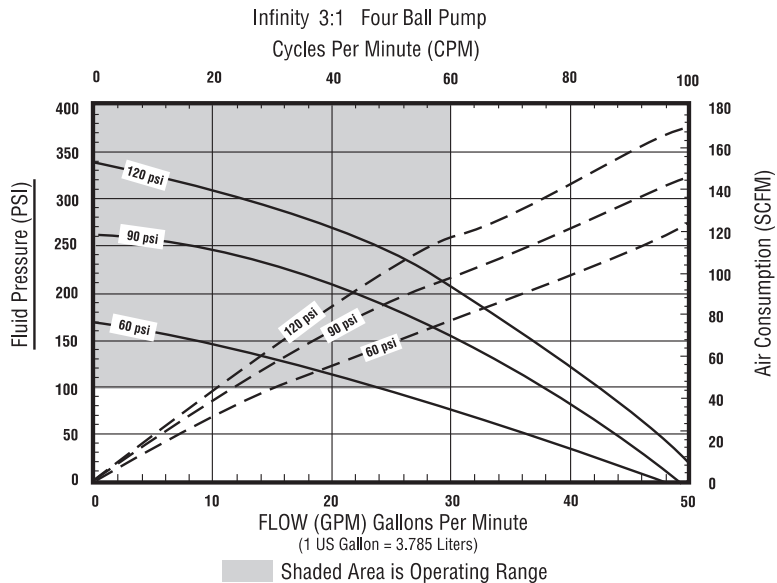
Lower Pump Material316 SS Stnls. Steel
Plunger Material17-4 Stnls. Steel, UltraCoat™ Ceramic Coating
Cylinder Material 316 Stnls. Steel, UltraCoat™ Ceramic Coating
Packing SetUHMW Polyethylene
Max. 120° F Fluid Inlet Temp. (Standard)	
Max. 180° F Fluid Inlet Temp. (Optional)	
Weight 73.25 lbs. (33.2 kgs.)

Part Numbers

Air Motor 842002
Air Motor Repair Kit 861032
Lower Pump Assembly 871040
Lower Pump Repair Kit (UHMW) 861070
Optional Lower Pump Repair Kit 861071

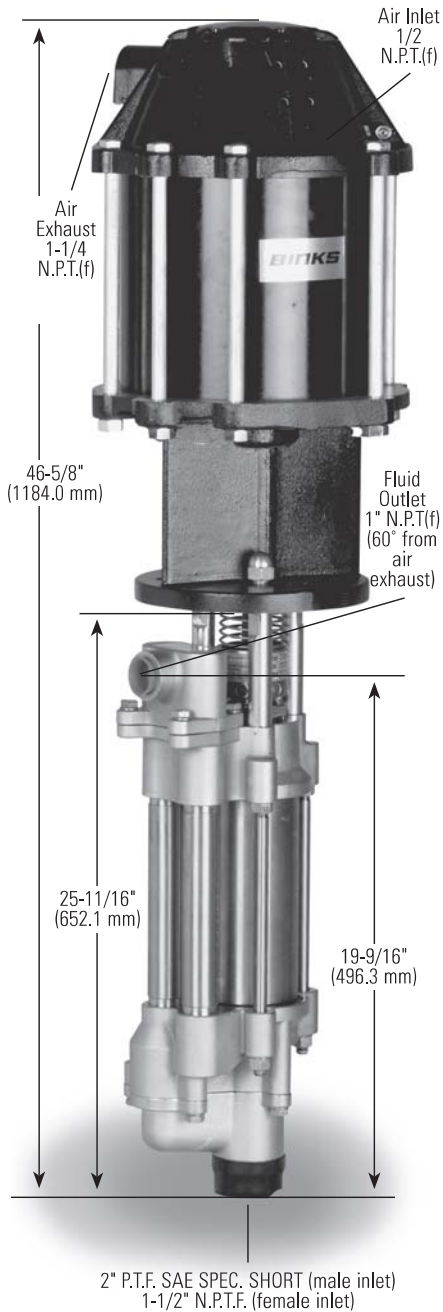
Available Accessories

Air Filter/Regulator 849315
Wall Mount Bracket 873115
Muffler 873158
Fluid filter 841006
Wet Sol Packing Lubricant 863009



Infinity 5:1 Four-Ball Pump

Pump #814430 – Ratio 5:1 – 500 PSI



Performance – 500 PSI

Air Inlet Pressure 30 - 120 PSI (2.1 - 8.3 bar)
 Fluid Pressure 150 - 702 PSI (10.3 - 48.4 bar)
 Max. Cycles/Min. 60
 Displacement Per Cycle 108.1 cu. in.
 Volume/Cycle 59.9 oz. (1771 ml)
 Cycles Per Gallon 2.1
 Flow @ 60 Cycles/Min. 28.1 GPM (106.3 lpm)
 Noise Level with muffler
 @ 60 PSI @ 40 Cycles/Min. 89.8 db(A)

Materials of Construction

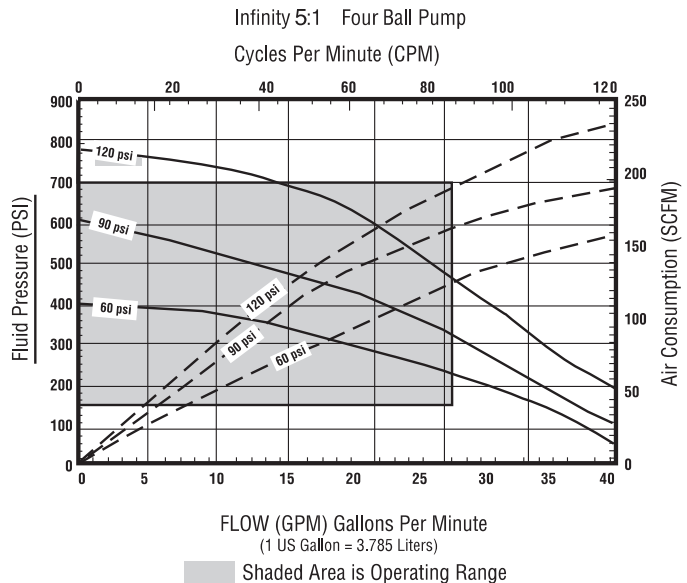
Lower Pump Material..... 316 SS Stnls. Steel
 Plunger Material..... 17-4 Stnls. Steel,
 UltraCoat™ Ceramic Coating
 Cylinder Material..... 316 Stnls. Steel,
 UltraCoat™ Ceramic Coating
 Packing Set UHMW Polyethylene
 Max. 120° F Fluid Inlet Temp. (Standard)
 Max. 180° F Fluid Inlet Temp. (Optional)
 Weight..... 96 lbs. (43.5 kgs.)

Part Numbers

Air Motor..... 842003
 Air Motor Repair Kit 861033
 Lower Pump End Series 871040
 Lower Pump Repair Kit 861070

Available Accessories

Air Filter/Regulator 849315
 Wall Mount Bracket..... 873115
 Muffler..... 873158
 Fluid filter 841006
 Wet Sol Packing Lubricant..... 863009



Infinity Four-Ball Pump Package

*The All-Stainless Pump Built to Take on the Toughest Applications
Ceramic UltraCoat™ on Cylinder and Rod*



Package Includes

- Pump
- Wall Mount Bracket
- Muffler
- Air Filter/Regulator
- Pneumatic Shut Off Valve

Accessories (Included)

Wall Mount Bracket	
for 4-1/4" and 6" motors.....	.873115
for 8" motors873237
Mufflers	
for 4-1/4" and 6" air motors.....	.873158
for 8" air motors873190
Air Filter/Regulator (2)849315

Available Accessories

SS Fluid Filter w/100 mesh element841006
Siphon Kits	
5 gallon.....	.874500
55 gallon.....	.874501

Siphon kits include 5' hose, SS fittings, tube and strainer

Markets Include

- Large Wood
- Office Furniture
- Large General Industrial
- Commercial Equipment
- Aerospace
- And More

Model

I-6, 3:1 Ratio/29.3 GPM – 300 PSI.....814110
Bare Pump #814410

Typical Applications

Used in conventional air, HVLP and air assist systems with light to medium viscosity coatings. These pumps can be used as a multi-gun supply pump in a circulating or a dead end system. Often used in larger, high production automated systems.



Pump Support Products

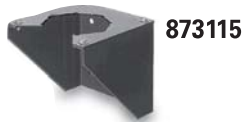
Wall Mounts

873184

Wall Mount Bracket Has 2" NPT (F) opening to accept bung type pumps. Bracket slips over rim of open head drum or can be wall mounted. Pump used with 2", "N" Series, and 4-1/4" air motor stub pumps fitted with bung adapters or 55-gallon bung type pumps.

873135

Wall Mount Bracket Used with 1-1/2" Diaphragm pumps.



873115

Wall Mount Bracket Used with 4-1/4" air motor and 6" air motor. Infinity two-ball, four-ball and 1" diaphragm pumps.

873134

Wall Mount Bracket Used with 3:1 diaphragm pump.

873237

Wall Mount Bracket Used with 8" Air Motor.



873116

Wall Mount Bracket Open front permits easy installation of pump. Can be bolted to wall at back or side of bracket. Used with all Infinity "N" Series, and 1/2" diaphragm pumps.

Portable Carts

873186

Portable Cart Will clear 28" (711 mm) openings Unique "chair" design distributes pump weight. Pumps used with 4 1/4" and 6" Air motor - two-ball.



Air Motor Mufflers



Reduces air exhaust noise level to acceptable OSHA standards.

873158

Used with 4-1/4" and 6" air motor pumps

Air Inlet NPT1-1/4 (M)
Size, Inches (mm).....3-1/2 x 11-3/16 (89 x 284)

873190

Used with 8" air motor pumps

Air Inlet NPT1-1/4 (M)
Size, Inches (mm).....5-5/8 x 15-3/8 (143 x 391)

Wet Sol "Plus"



863009

Wet Sol Plus - One Quart Container. Designed to prolong packing life by keeping the piston rod and packings wetted. Also reduces the possibility of material hardening on the piston rod. Used with all pumps with wet cups.

Air System Components

Air Filter/Regulator



USED ON MOST PUMPS

849315

Filter/Regulator 5 micron filter, metal bowls

Filter/Regulator

Port Size NPT 1/2" (F)
 Reg. Pressure Range PSI (bar).... 5-125 (.3-8.5 bar)
 Max. Flow 140 SCFM (66 dm³/s)

Accessories

Service Kit, Relieving Type 849305
 Regulator Wall Mount Kit 849308
 Filter Element (5 Micron)..... 873209

One Spacer Kit is required to connect any filters/ regulator to lubricator.

Pump Protector



41-11150

Adjustable to 150 CFM, 20 - 125 PSIG

Air Line Lubricator

237-578

Use for equipment that requires lubrication.

Oil Capacity..... 8 oz.(237 ml)
 Connections 1/2" NPT(F)
 Max. Flow 110 SCFM

Air Line Lubricant



863020

One Quart Bottle A high quality "EP" extreme pressure gear oil, non-detergent, rust or oxidation inhibited, with a viscosity of 700-1000 S.U.S. at 100° F.

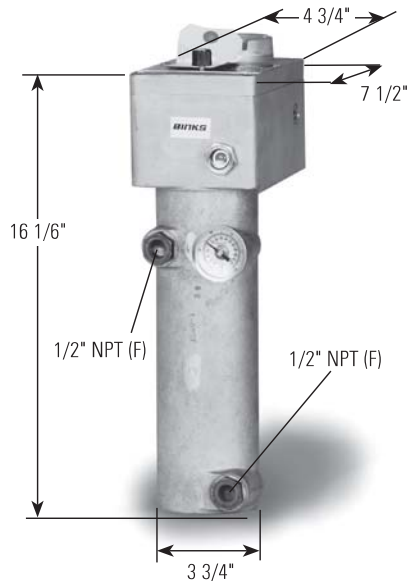
Binks Scrubs Hand Cleaner Towels



**29-3100-K6 – Case of six buckets
 72 towel count per bucket**

Binks Scrubs are the pre-moistened, heavy duty hand cleaner towels in a convenient bucket. Scrubs powerful, safe, patented citrus-based formula works together with an absorbent, non-scratching abrasive hand cleaner towel for proven performance.

Fluid Conditioning



Fluid Heaters & Accessories

High Pressure, lightweight (18 lbs.), compact and explosion-proof construction. Working capacity to 5000 PSI and with adjustable thermostatic control from 60° to 250°F. The typical temperature rise with a flow of 32 fl. oz./min. while maintaining a temperature of 100% above ambient. (CSA listed, CE approved)

830000

Fluid Heater 2000 watts
Wetted Stainless Steel
Max Working PSI 5000 (340 bars)
Voltage 120 (16.6 AMPS)

830001

Fluid Heater 2000 watts
Wetted Stainless Steel
Max Working PSI 5000 (340 bars)
Voltage 240 (8.33 AMPS)

830002

Fluid Heater 2000 watts
Wetted Stainless Steel
Max Working PSI 5000 (340 bars)
Voltage 440 (4.5 AMPS)
(Includes mounting bracket – all models)

Materials Filters, Screens & Inlet Fluid Filters

PART NUMBER	DESCRIPTION	PORT INLET	PORT OUTLET	MESH	MICRONS (INCH)	MATERIAL	WORKING PSI
Materials Filters – Standard Models							
841001	Material Filter	1/2" NPTF (2 inlets)	1/2" PTF SAE SPEC	70	—	carbon steel	6000
841002	Material Filter	1/2" NPTF (2 inlets)	1/2" PTF SAE SPEC	100	—	carbon steel	6000
841005	Material Filter	1/2" NPTF (2 inlets)	1/2" PTF SAE SPEC	70	—	stainless	6000
841006	High Pressure Fluid filter	1/2" NPT	1/2" NPT	100	149 (.004)	stainless	6000
841010 ■	Filter/Pulse Assembly	3/8" NPT (F)	3/8" NPT (F)	40	—	nylon and ss	150
103-1241	High pressure filter	3/8" NPS (F)	1/4" NPS (M)	100	280 (.012)	stainless	4000
Outlet Adapter to mount 841006							
873188	For mounting material filter	1" NPT (M)	1/2" NPT (M)	30x40	500 (.023)	—	—
Replacement Elements							
873146	Replacement Fluid filter for 841005, 841001			70	200 (.008)	stainless	
873147	Replacement Fluid filter for 841006, 841002			100	149 (.004)	stainless	
83-2089	Replacement Fluid filter for 103-1241			50	280	stainless	
83-1256	Replacement Fluid filter for 103-1241			100	149 (.004)	stainless	
Gun Mounted – Material Filter Screens							
VS-534	Filter Assembly	3/8" NPS (F) SW	3/8" NPS (M)	100	149 (.004)	stainless	300
PLH-MF-6-100	Final Filter	3/8" NPS (M)	3/8" NPS (F)	100	149 (.004)	stainless	250
Inlet Fluid filter – On Inlet Of Pickup Tube							
873117	For siphon hose 874504	1/2" NPT (F)		30	500 (.021)	stainless	
873192	For siphon hose 874500 and 874501	3/4" NPT (F)		30	500 (.021)	stainless	

■ Standard filter element – 135-78, optional SS 80 mesh filter element – 135-77, standard EPDM gasket – 135-79, optional Viton gasket – 135-136

103-1241
(100 Mesh)



841001,
841002,
841005,
841006
(100 Mesh)



873146
(70 Mesh)
873147
(100 Mesh)



873192
873117



873188



841010



**Sales and Service
Through a Nationwide Network of Industrial Distributors**



North American Office

ITW Industrial Finishing
Binks

195 Internationale Blvd.
Glendale Heights, IL 60139

630-237-5000

Fax 630-237-5003

www.binks.com

Customer Service

1-800-992-4657

Technical Support

1-888-992-4657

